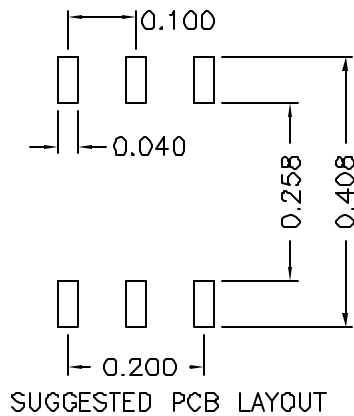
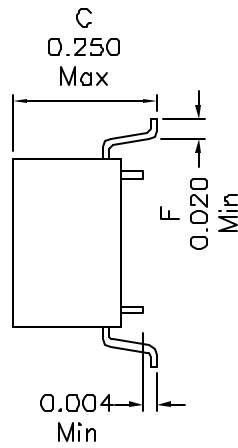
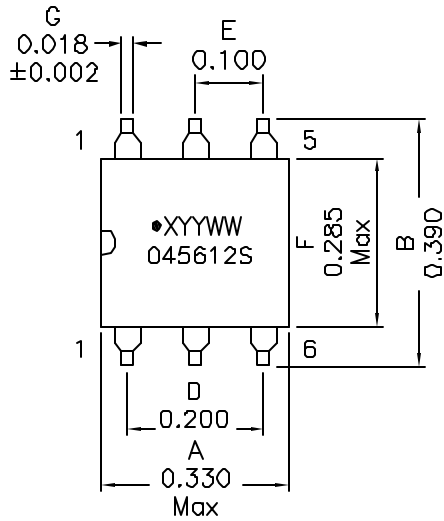
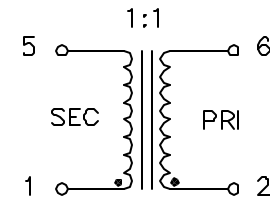


### 1. Mechanical Dimensions:



### 2. Schematic:



### 3. Electrical Specifications:

OCL: Pins 2-6 45uH Min @100KHz 0.1V

Q: Pins 2-6 8 Min @10KHz 50mV

LL: Pins 2-6 0.12uH Max @100KHz 0.1V (Short Sec)

CW/W: Pins 2-1 13pF Max @100KHz 0.1V

DCR: Pins 2-6 0.350 Ohms Max

Pins 1-5 0.350 Ohms Max

TURNS RATIO: Pins (1-5):(2-6)=1:1±3%

ISOLATION: 1500Vac

**Notes:**

1. Solderability: Leads shall meet MIL-STD-202G, Method 20BH for solderability.
2. Flammability: UL94V-0
3. ASTM oxygen index: > 28%
4. Insulation System: Class F 155°C, UL file E151556
5. Operating Temperature Range: All listed parameters are to be within tolerance from -40°C to +85°C
6. Storage Temperature Range: -55°C to +125°C
7. Aqueous wash compatible
8. SMD Lead Coplanarity: ±0.004\*(0.102mm)
9. Electrical and mechanical specifications 100% tested
10. RoHS Compliant Component
11. Designed to meet UL60950 for Functional Insulation.

DOC REV: A/5

**PROPRIETARY** Document is the property of XFMRS Group & is not allowed to be duplicated without authorization.

XFMRS Inc www.XFMRS.com	Title: TRANSFORMER		
	UNLESS OTHERWISE SPECIFIED TOLERANCES: .xxx ±0.010		P/N: XF04561-2S
Dimensions in INCH	DWN.	Mei Chen	REV. A May-13-10
SHEET 1 OF 1	CHK.	YK Liao	May-13-10
	APP.	Joe Huff	May-13-10